

DATA SHEET HORIZONTAL BAR SUPRA 1 ROBINIA

Text for invitation to tender | Item No: 55 1514 602



MATERIALS | SCOPE OF SUPPLY

Play equipment, nearly pre-mounted;
final installation on location

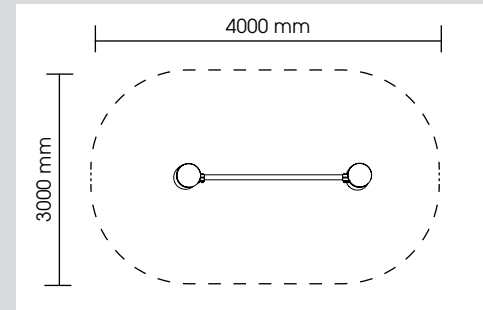
Posts:	robinia, with pedestal made of stainless steel, 2 pieces
Horizontal bar:	stainless steel, V2A, 1 piece
Foundation plate:	steel, coated

TECHNICAL INFORMATION

Dimensions:

Main dimension:	1645 x 200 mm
Height:	1260 mm
Weight:	86 kg
Capacity:	acc. to normative requirements
Dimension largest piece:	300 x 300 x 1710 mm
Heaviest piece:	39 kg

Max. fall height:	1000 mm
Impact area:	10,32 m ²
Required safety slabs:	12,00 m ²
Required lawn grating:	12,00 m ²
Recommended surface material:	sand, wood chip, gravel, synth. impact protection



INSTALLATION

Foundations: 2
Modified installation depth possible
(special edition)

Installation according to our detailed mounting
instructions, see www.stilum.com

Please note the material information in the mounting- and maintenance instruction.

